

**SKIP\*HOP**

303326.16

**4**  
m+

SILVER LINING CLOUD™  
baby's view 3-stage  
**activity center**



**OWNER'S MANUAL**

**WARNING**

**FALL HAZARD**

Babies can **FALL** from product resulting in head injuries.

- NEVER leave the child unattended. ALWAYS keep child in view while in the activity center.
- NEVER use near stairs, stoves or ovens, fireplaces, heaters, swimming pools or other dangerous areas.
- To avoid tip over, place product on a flat, level surface.

**STRANGULATION HAZARD**

Strings can cause **STRANGULATION**.

- DO NOT place items with a string around child's neck, such as hood strings or pacifier cords.
- DO NOT suspend strings over product or attach strings to toys.
- Keep all components not in use out of reach of children.
- Do not use the Activity Center if it is damaged or broken.
- The Stationary Activity Center is for a child able to support its head unaided at minimum. Discontinue use when child begins to walk unassisted.

**Bird Bowl**  
For your child's safety and health:

**WARNING!**

Always use this product with adult supervision. Before each use, inspect the product. Throw away at the first sign of damage or weakness. This product is not a toy. Always check food temperature before feeding. Do not store in direct sunlight, as this may damage product. Before first use, clean the product. Inspect & wash thoroughly before first use and after each use. Clean after each use, as soon as possible. Do not freeze or boil.

**CONSUMER INFORMATION: SAFETY AND DISPOSAL**

Do not dispose of Waste Electrical Electronic Equipment (WEEE), including batteries, in unsorted municipal waste; collect separately. Dispose of at WEEE collection sites per local regulation. WEEE contains chemicals that are hazardous to the environment and human health. The end-user's participation is critical to the success of WEEE collection.

- Do not burn batteries. Dispose of batteries in a safe and appropriate manner.
- Non-rechargeable batteries are not to be recharged.
- Rechargeable batteries are only to be charged under adult supervision.
- Exhausted batteries are to be removed from the toy.
- The supply terminals are not to be short circuited.
- Different types of batteries or new and used/old batteries are not to be mixed.
- Rechargeable batteries are to be removed from the toy before being charged.
- Do not mix alkaline, standard (carbon-zinc), or rechargeable batteries.
- Batteries are to be inserted with the correct polarity.
- To prolong the life of this product, remove batteries when toy is in storage.



Do not dispose of WEEE in trash.

**CAUTION:** Changes or modifications not expressly approved by the party responsible for compliance could void the user's authority to operate the equipment. This device complies with part 15 of the FCC Rules. Operation is subject to the following two conditions: (1) This device may not cause harmful interference, and (2) this device must accept any interference received, including interference that may cause undesired operation.

**NOTE:** This equipment has been tested and found to comply with the limits for a Class B digital device, pursuant to part 15 of the FCC Rules. These limits are designed to provide reasonable protection against harmful interference in a residential installation. This equipment generates, uses and can radiate radio frequency energy and, if not installed and used in accordance with the instructions, may cause harmful interference to radio communications. However, there is no guarantee that interference will not occur in a particular installation. If this equipment does cause harmful interference to radio or television reception, which can be determined by turning the equipment off and on, the user is encouraged to try to correct the interference by one or more of the following measures:

- Reorient or relocate the receiving antenna.
- Increase the separation between the equipment and receiver.
- Connect the equipment into an outlet on a circuit different from that to which the receiver is connected.
- Consult the dealer or an experienced radio/TV technician for help.

CAN ICES-3 (B)/NMB-3(B)

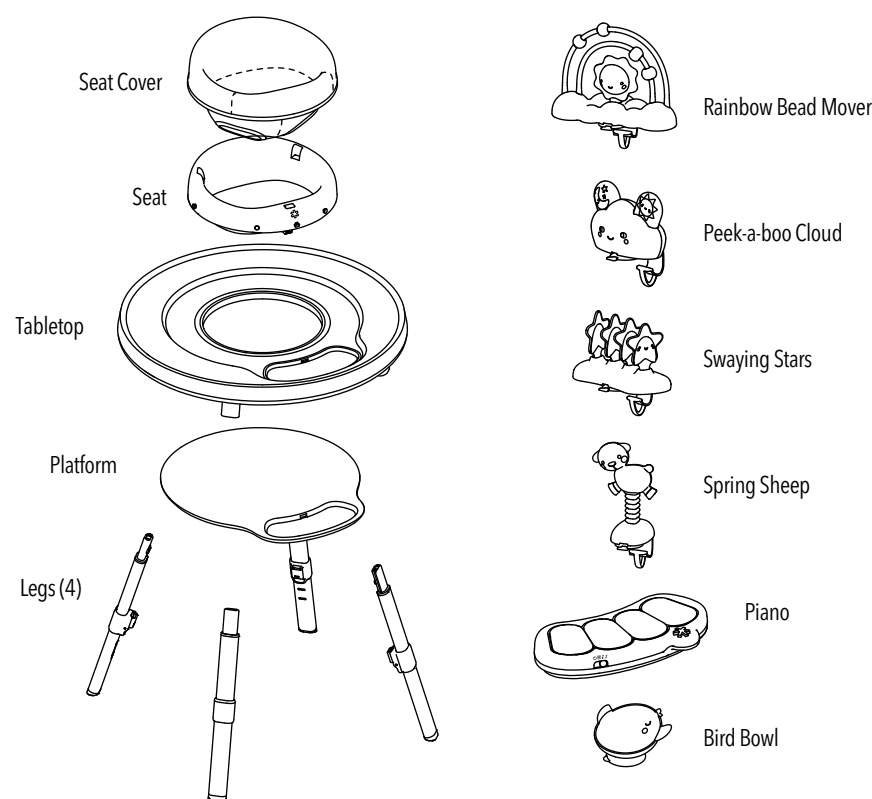
© Skip Hop, Inc.  
100 W 33 St, STE 1125 NY, NY 10001  
In the US: 888.782.9548  
www.skiphop.com

Meets ASTM F963, EN71 and applicable safety standards.  
EN14372 - For snack bowl

Read all instructions before assembly and use of the stationary Activity Center.

**IMPORTANT! Keep instructions for future use.**

**CONTENTS:**



Note: Platform is pre-assembled for packing purpose. Please remove Platform from Tabletop for activity center mode.

**CLEANING AND CARE:**

- Plastic Parts:** Wipe surfaces with mild soap and water. Air dry.
- Bird Bowl:** Wash thoroughly before use. Dishwasher safe, top rack only.
- Fabric Parts:** Machine wash cold, gentle cycle. No Bleach. Dry Flat. Do not iron. Do not dry clean.
- Chalkboard Platform:** To remove chalk, wipe clean with a wet cloth.



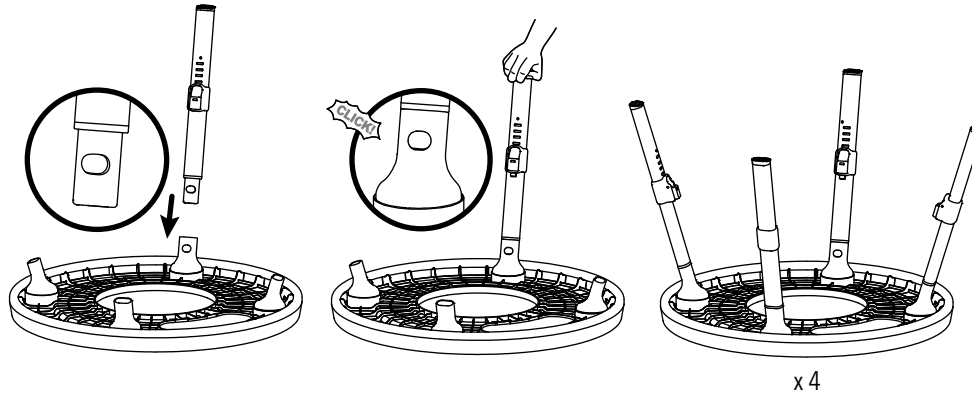
**SETUP AS ACTIVITY CENTER:**

Adult assembly required.

**CAUTION:** Do not use with children over 25 lbs (11kg), or over 30 inches (76cm). For use only with infant who can hold up their head unaided. Discontinue use when child begins to walk unassisted or can lift itself out of seat.

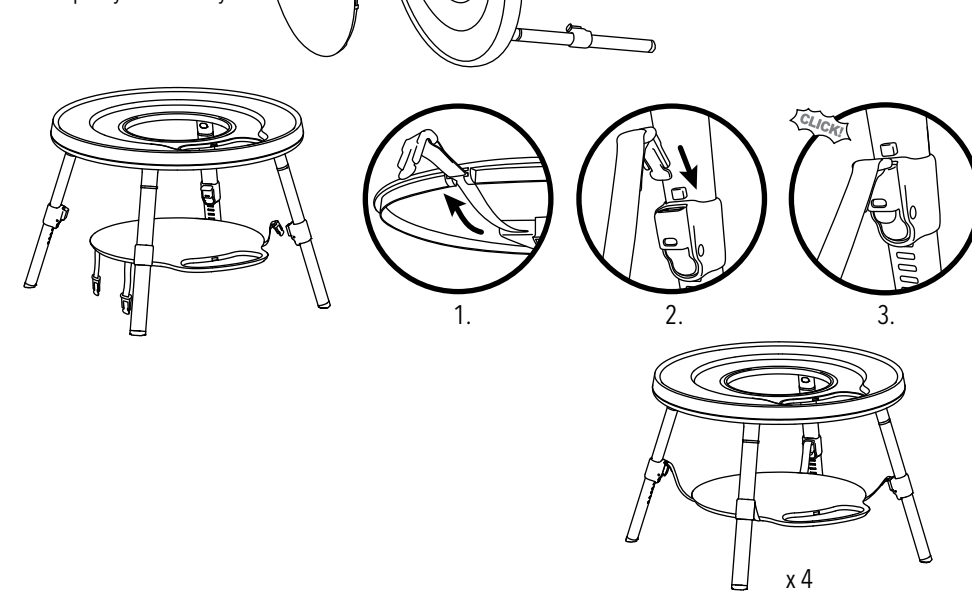
**LEG ASSEMBLY**

**CAUTION:** Make sure all 4 legs are securely locked in position before putting your child in the seat.

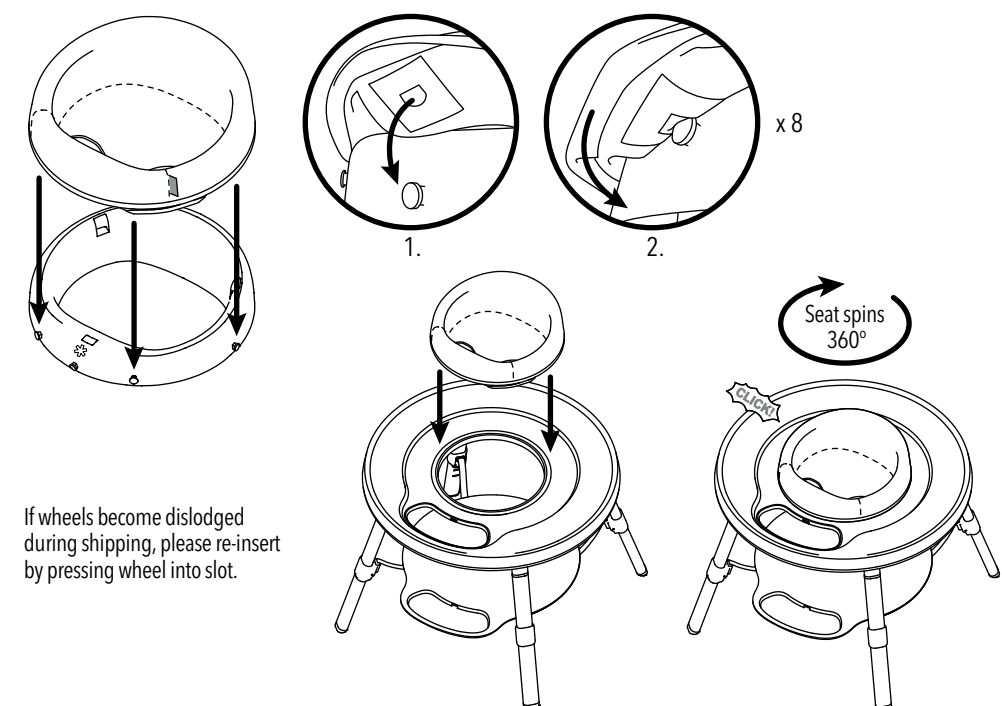


**PLATFORM ASSEMBLY**

With table on its side, push the Platform out from tabletop. For first time assembly, a harder push or tap may be necessary.

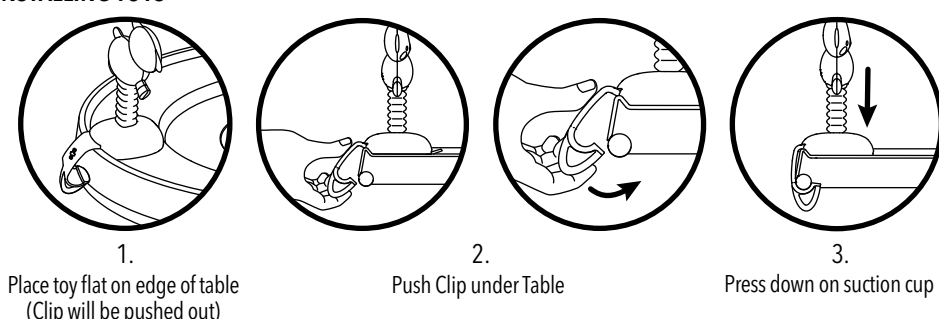


**SEAT INSTALLATION**



If wheels become dislodged during shipping, please re-insert by pressing wheel into slot.

**INSTALLING TOYS**

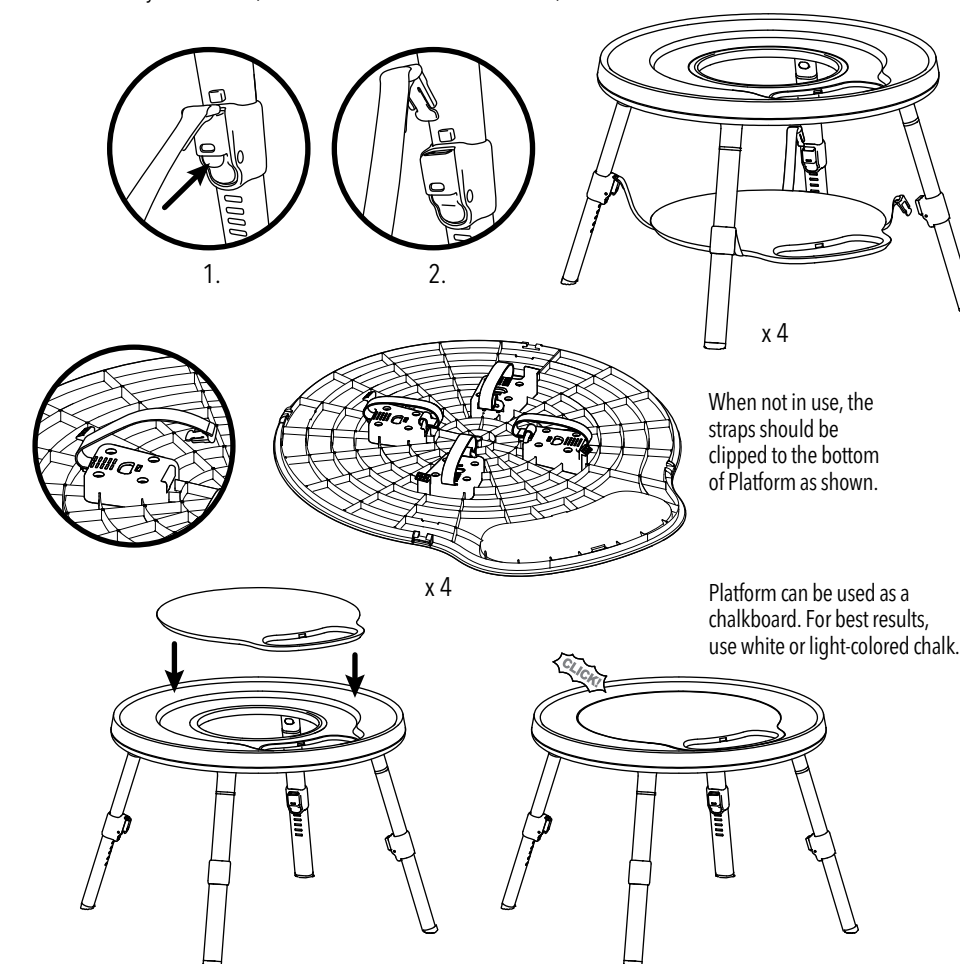


1. Place toy flat on edge of table (Clip will be pushed out)  
2. Push Clip under Table  
3. Press down on suction cup

**SETUP AS PLAY TABLE:**

Adult assembly required.

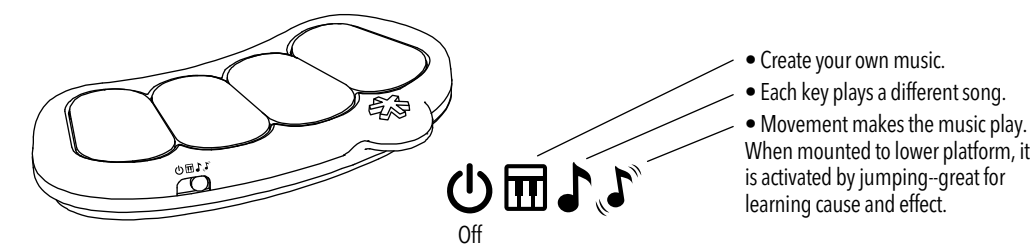
Remove Seat and Toys from Table (see "MOVING AND REMOVING TOYS").



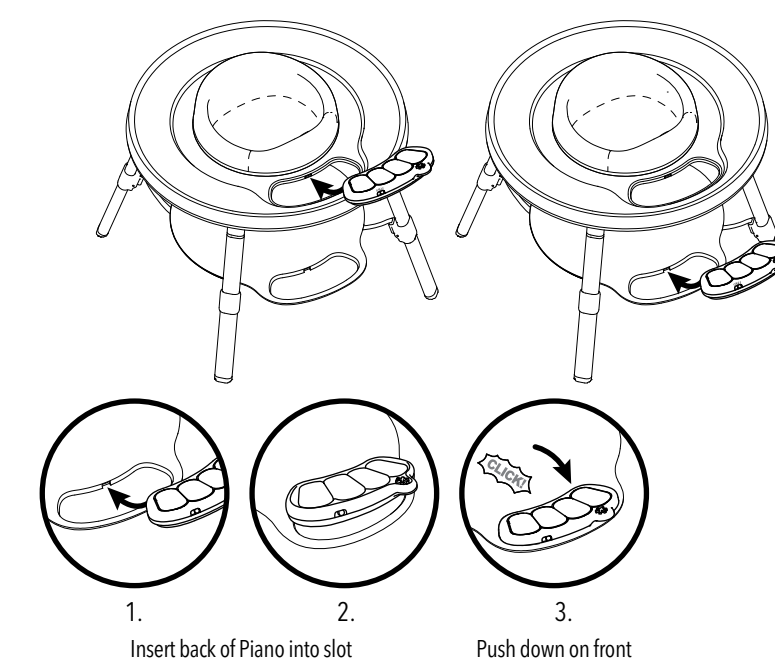
**PIANO PLAY: (requires 3 AAA batteries)**

- Install/replace batteries (by adult only):
- Open battery cover with screwdriver
- Insert or replace with 3 AAA 1.5V batteries
- Replace cover and secure screws with screwdriver

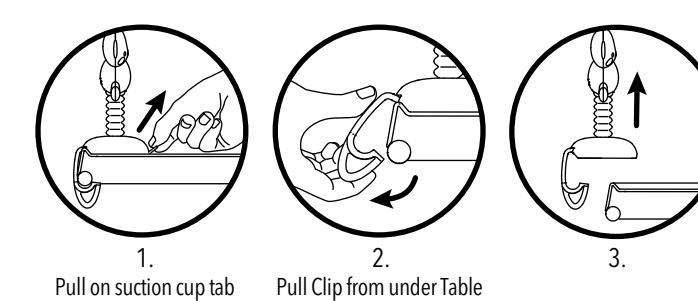
At the end of product life, remove batteries from product by following the above battery replacement instructions. Always dispose of used batteries properly. See section on safety and disposal information. To prolong the life of this product, remove batteries when toy is in storage.



**INSTALLING PIANO ON TABLE OR PLATFORM**

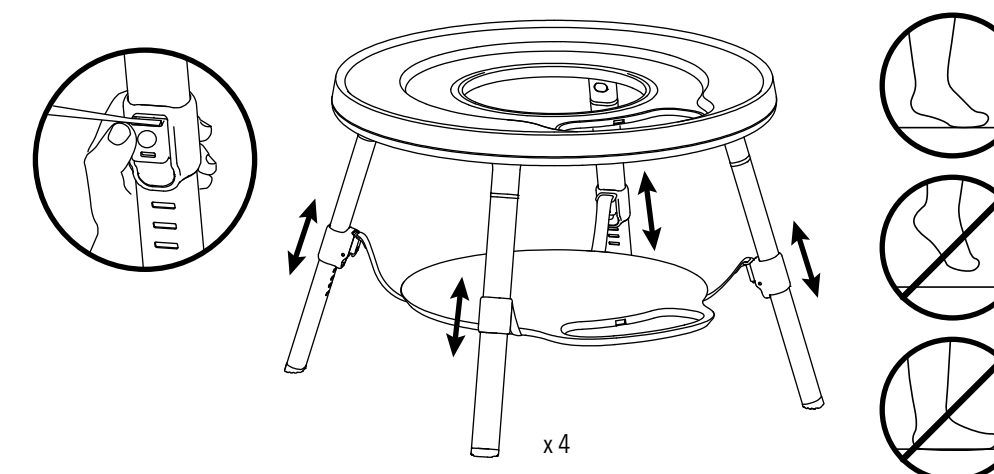


**MOVING AND REMOVING TOYS**



**ADJUSTING PLATFORM HEIGHT**

ALWAYS remove baby from Activity Center before adjusting. Platform may be removed if baby's feet are flat on the platform.



© Skip Hop, Inc.  
100 W 33 St, STE 1125 NY, NY 10001  
In the US: 888.782.9548  
www.skiphop.com

Meets ASTM F963, EN71 and applicable safety standards.  
EN14372 - For snack bowl