

SKIP*HOP®

4
m+

DISCOVEROSITY™

3-stage activity center



OWNER'S MANUAL

⚠️ WARNING

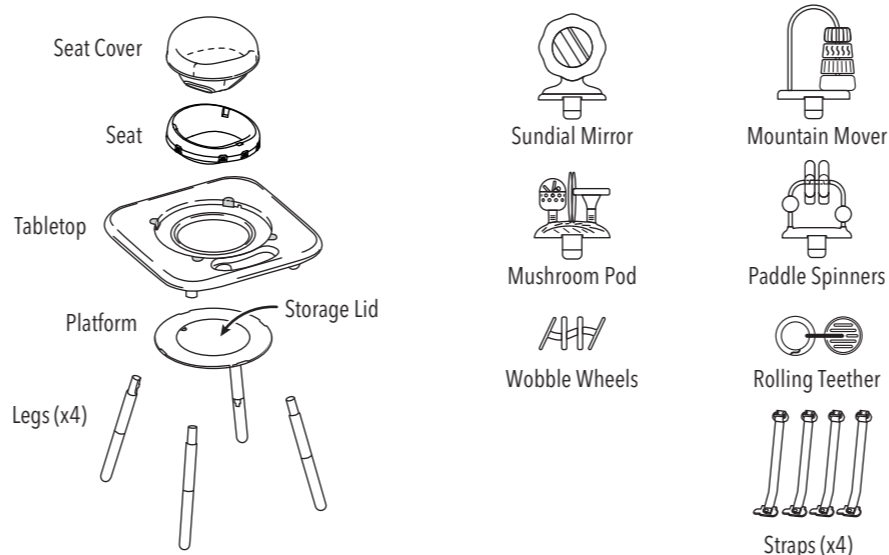
FALL HAZARD

- Babies can **FALL** from product resulting in head injuries.
- NEVER leave the child unattended. ALWAYS keep child in view while in the activity center.
 - NEVER use near stairs, stoves or ovens, fireplaces, heaters, swimming pools or other dangerous areas.
 - To avoid tip over, place product on a flat, level surface.

STRANGULATION HAZARDStrings can cause **STRANGULATION**.

- DO NOT place items with a string around child's neck, such as hood strings or pacifier cords.
- DO NOT suspend strings over product or attach strings to toys.
- Keep all components not in use out of reach of children.
- Do not use the Activity Center if it is damaged or broken.
- The Stationary Activity Center is for a child able to support its head unaided at minimum. Discontinue use when child begins to walk unassisted.

Read all instructions before assembly and use of the stationary Activity Center.

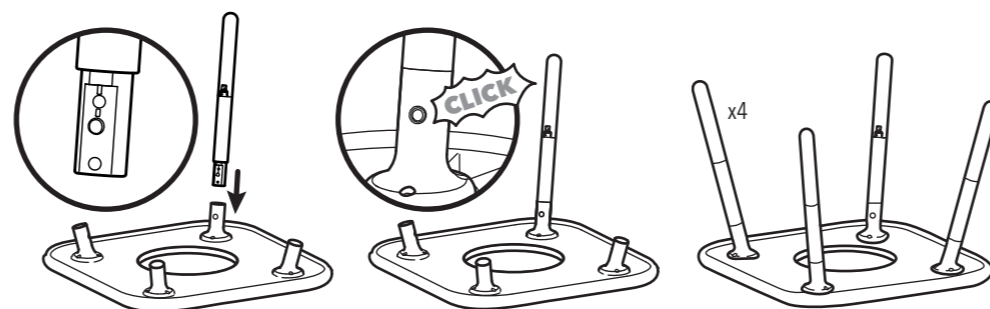
IMPORTANT! Keep instructions for future use.**CONTENTS:**

Note: Platform with Storage Lid are pre-assembled for packing purpose. Please remove Platform from Tabletop for activity center mode.

SETUP AS ACTIVITY CENTER:

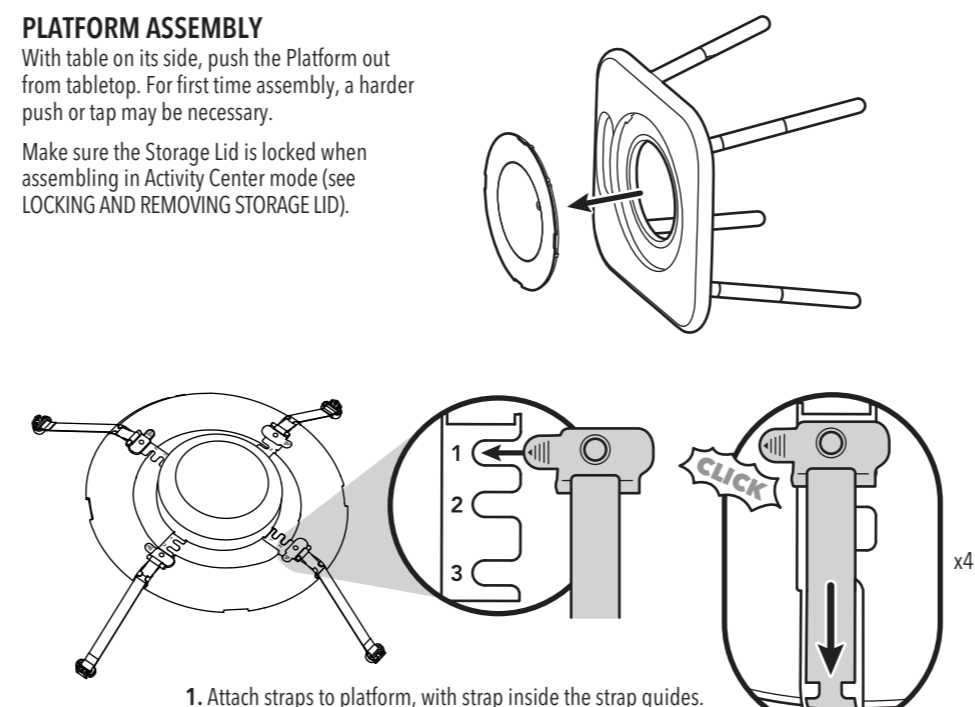
Adult assembly required.

CAUTION: Do not use with children over 25 lbs (11kg), or over 30 inches (76cm). For use only with infant who can hold up their head unaided. Discontinue use when child begins to walk unassisted or can lift itself out of seat.

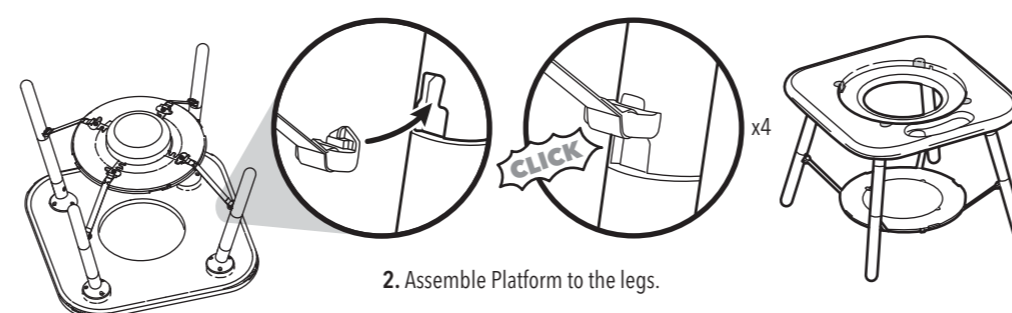
LEG ASSEMBLY**PLATFORM ASSEMBLY**

With table on its side, push the Platform out from tabletop. For first time assembly, a harder push or tap may be necessary.

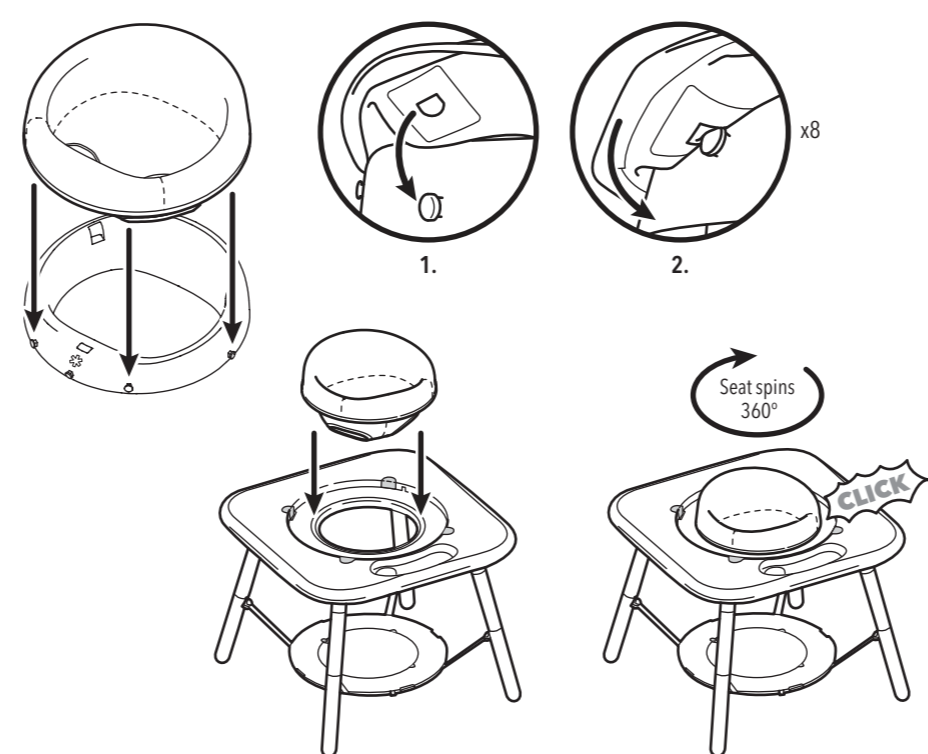
Make sure the Storage Lid is locked when assembling in Activity Center mode (see LOCKING AND REMOVING STORAGE LID).



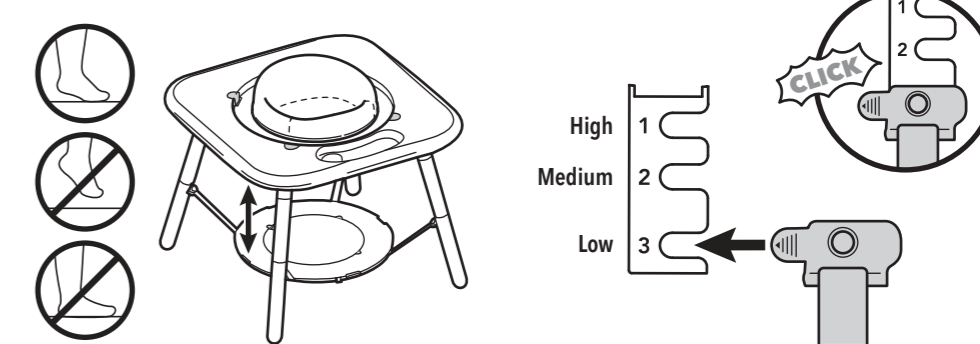
1. Attach straps to platform, with strap inside the strap guides.



2. Assemble Platform to the legs.

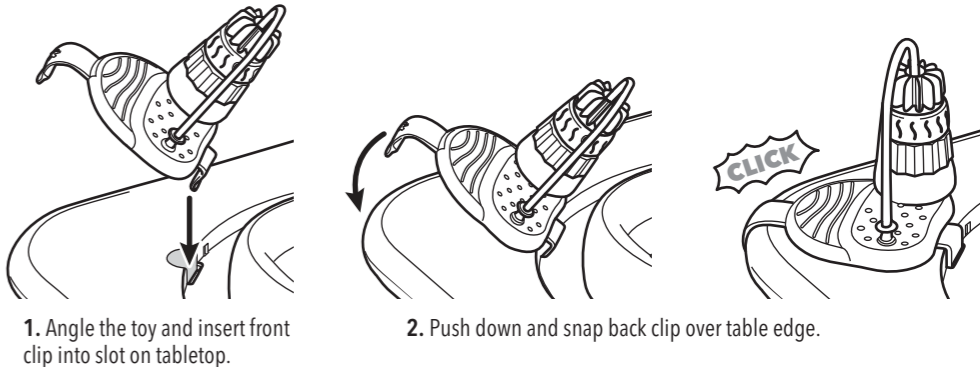
SEAT INSTALLATION

If wheels become dislodged during shipping, please re-insert by pressing wheel into slot.

ADJUST PLATFORM HEIGHT

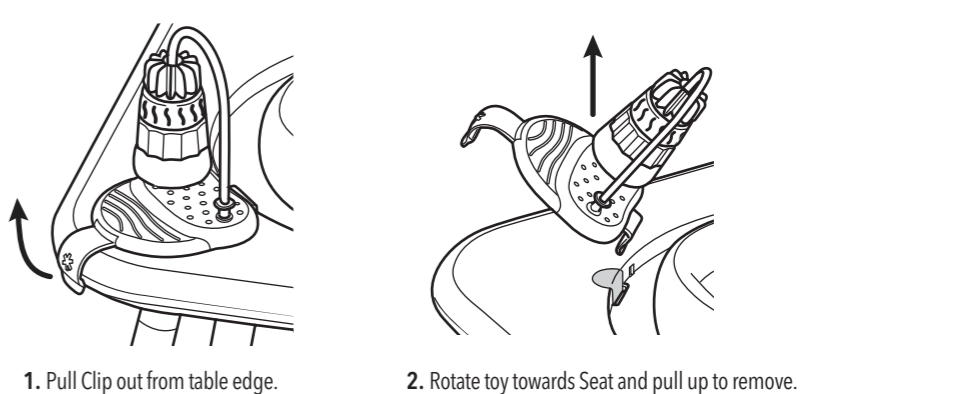
CAUTION: Make sure straps and all connection points are secure before putting child in seat. ALWAYS remove baby from Activity Center before adjusting platform height.

Lift up on tab and push out to remove connector from platform. Re-insert into appropriate slot. Platform may be removed if baby's feet are flat on the platform.

TOY INSTALLATION

1. Angle the toy and insert front clip into slot on tabletop.

2. Push down and snap back clip over table edge.

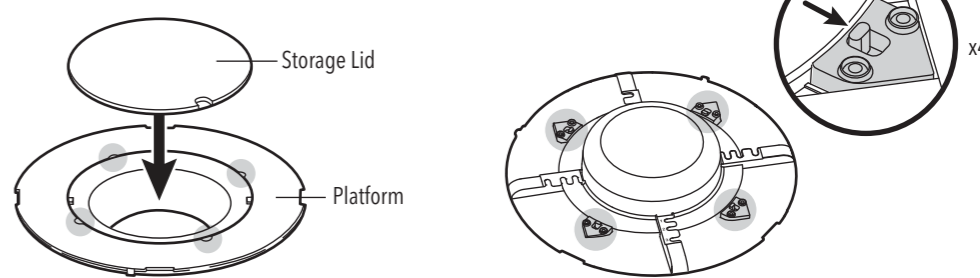
TOY REMOVAL

1. Pull Clip out from table edge.

2. Rotate toy towards Seat and pull up to remove.

LOCKING AND REMOVING STORAGE LID

CAUTION: Make sure Storage Lid is locked when assembling in Activity Center mode.

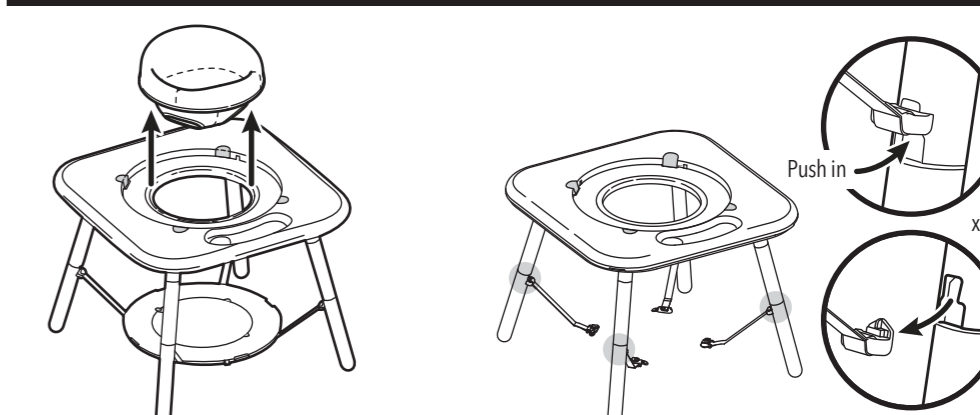


1. Place Storage Lid into Platform, rotating so finger hole aligns with any glossy areas on Platform.

2. Flip Platform with Storage Lid over and slide locks to open or closed position.

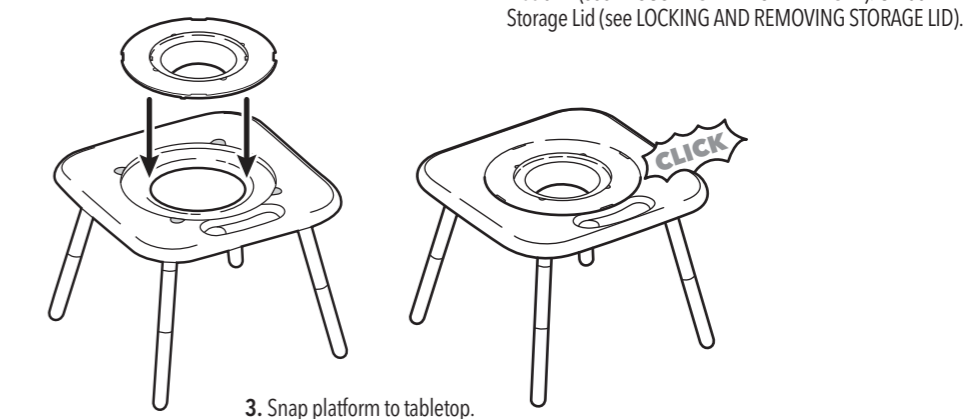
SETUP AS PLAY TABLE:

Adult assembly required.



1. Remove Seat and Toys from Table (see TOY REMOVAL).

2. Remove Straps from Legs by pushing in the tab on connector while sliding it out. Then, remove straps from Platform (see ADJUSTING PLATFORM HEIGHT). Unlock Storage Lid (see LOCKING AND REMOVING STORAGE LID).



3. Snap platform to tabletop.

CLEANING & CARE:

Plastic Surfaces and Toys: Wipe surfaces with mild soap and water. Air dry.

Wood Parts: Wipe surfaces with water and immediately wipe dry.

Soft Seat Cover: Machine wash cold, gentle cycle. No bleach. Dry flat. Do not iron. Do not dry clean.