

# SKIP\*HOP®

## WAVE™ 4-in-1 bath tub



### OWNER'S MANUAL

**CLEANING AND CARE:** Rinse tub, sit-up support and mesh sling after each use. Sling: Machine wash with cold water, gentle cycle. No bleach. Hang dry. Do not iron. Do not dry clean.

**To prevent mold/mildew:**

- Clean regularly and DRY IMMEDIATELY AFTER USE.
- HANG DRY in a well-ventilated, dry setting.
- Use dehumidifier or fan to dry in humid environments.

**STORAGE:** Snap Sit-up Support into front of tub. Use hook on back of tub to hang tub on curtain rod or towel bar for storage.

© Skip Hop, Inc.  
100 W 33 ST, STE 1125, NY, NY 10001  
In the US: 888.782.9548  
www.skiphop.com  
9L511910-02, 9S109010-02

Adult assembly required.

## IMPORTANT! READ CAREFULLY AND KEEP FOR FUTURE REFERENCE.

### ⚠️ WARNING

**DROWNING HAZARD:** Babies and children have **DROWNED** while bathing in infant bath tub, mesh sling and sit-up support.

**To prevent drowning:**

- Stay in arm's reach of your baby. **NEVER** leave child unattended in the bath, even for a few moments. If you need to leave the room, take the baby with you.
- **NEVER** rely on a toddler or preschooler to help your baby or alert you to trouble. Babies have drowned even with other children in or near bath tub.
- Always remain in contact with your child during bathing. Babies and young children are at risk of drowning when being bathed.
- Babies and children can drown in as little as **1 inch (2 cm)** of water in a very short time. Use as little water as possible to bathe your baby. The symbol **MAX** shown inside bath tub is used to indicate the maximum level of water to be used.
- Use in **empty** adult tub. **NEVER** use in a sink.
- Keep drain **open** in adult tub.

**FALL HAZARD:** Babies have suffered **head injuries** falling from infant bath tubs, mesh sling and sit up supports.

**To prevent falls:**

- Place tub **only** in adult tub for safe use. Always use this product inside a larger empty bathtub, or on a flat & stable surface. **ALWAYS** check the stability of the product before use.
- **NEVER** use this product on an elevated surface.
- **NEVER** lift or carry baby in tub, mesh sling and/or sit-up support.

This product is not a toy. **ALWAYS** use with adult supervision.

**ALWAYS** test water temperature before placing baby in this product:

- Typical water temperature should be between 90°F (32°C) and 100°F (38°C).
- **To avoid scalding by hot water**, position the tub in such a way to prevent the child from reaching the source of water.

The mesh sling in stage 1 and 2 can be used up to when your child is able to sit unaided. Stage 3 can only be used when child is able to sit unaided and up to when child tries to stand up by itself. Stage 4 can be used when child is able to sit up unassisted and stand. Only use the mesh sling and sit-up support in Wave 4-in-1 Bath Tub. Do not use sling with another bath tub. Always check the attachment and the stability of the mesh sling and sit-up support on the bath tub. Do not use replacement parts or accessories other than those approved by the manufacturer.

Before each use, inspect the product. **DO NOT** use the product at the first signs of wear or weakness. Discontinue the use of the product if it becomes damaged, broken or disassembled.

### STAGE 1

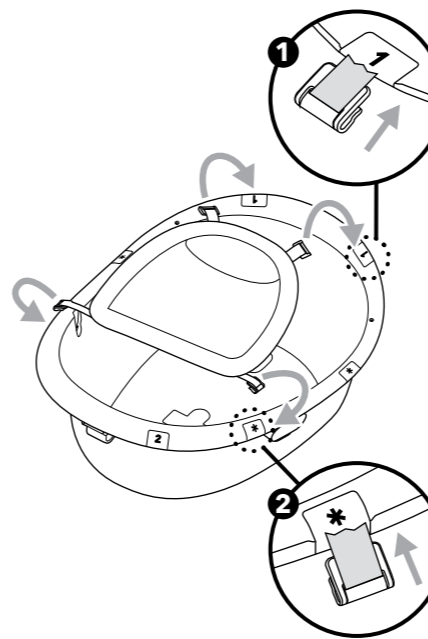


#### Infant Bather

0-6 months  
(up to 15 lb/7 kg)

The mesh sling in stage 1 can be used up to when your child is able to sit unaided.

- 1 Attach top sling clips to position 1, on wide end of tub.
- 2 Attach bottom sling clips to bottom position as shown.



### STAGE 2

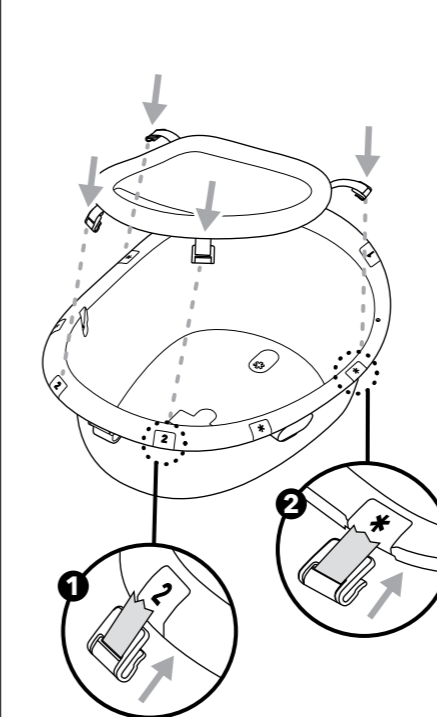


#### Upright Bather

3-9 months  
(up to 20 lb/9 kg)

The mesh sling in stage 2 can be used up to when your child is able to sit unaided.

- 1 Attach top sling clips to position 2, on narrow end of tub.
- 2 Attach bottom sling clips to bottom position as shown.



### STAGE 3

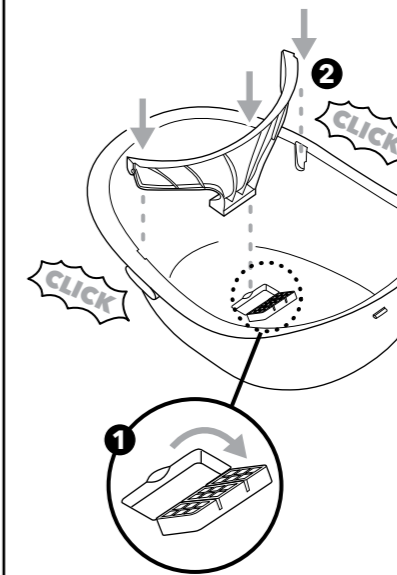


#### Sit-up Support

6-12 months  
(up to 25 lb/11,5 kg)

Stage 3 can only be used when child is able to sit unaided and up to when child tries to stand up by itself.

- 1 Flip open Sit-Up Support Hatch.
- 2 Insert foot of Sit-Up Support into the base of tub, while sliding both sides into slots. Press down on each side until it \*clicks\* into place. Check to make sure all attachment points are secure.



### ⚠️ WARNING

- TO PREVENT POSSIBLE PINCHING HAZARDS, **DO NOT** ASSEMBLE STAGE-3 SIT-UP SUPPORT WHILE CHILD IS IN BATHTUB.
- **ALWAYS** PRE-ASSEMBLE PRIOR TO USE. CHECK THAT SUPPORT IS FIRMLY LOCKED IN PLACE BEFORE USE.

### STAGE 4



#### Open Tub

9 months - 2 years  
(up to 25 lb/11,5 kg)

Stage 4 can be used when child is able to sit up unassisted and stand.

- 1 Squeeze release button on one side, and pull up on Sit-up Support on that side. Repeat on other side. Pull up to remove once both sides are released.
- 2 Close Sit-Up Support Hatch securely.
- 3 Attach Sit-Up Support to Tub for storage. Snap to A and then B as shown below. You will hear a \*click\* signaling it's secured.

